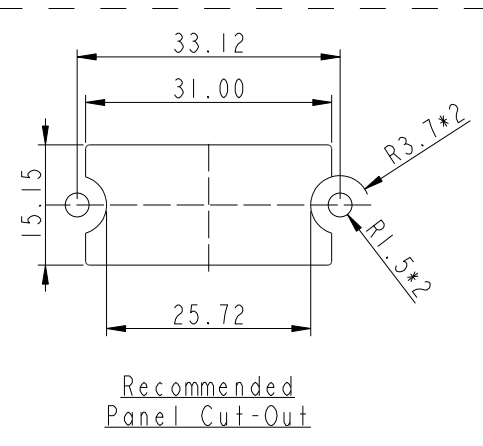
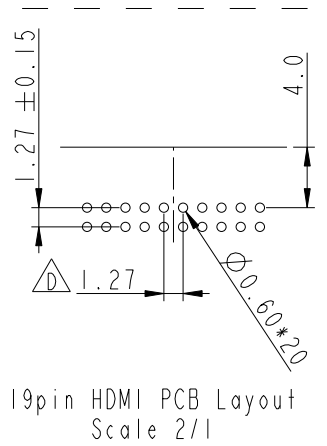
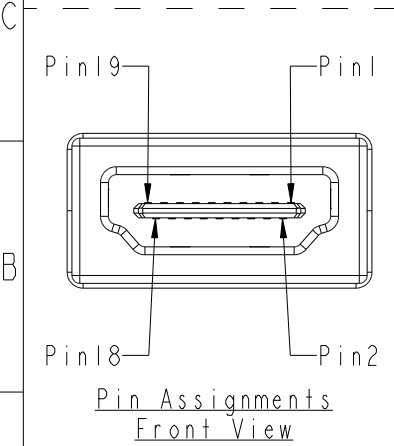
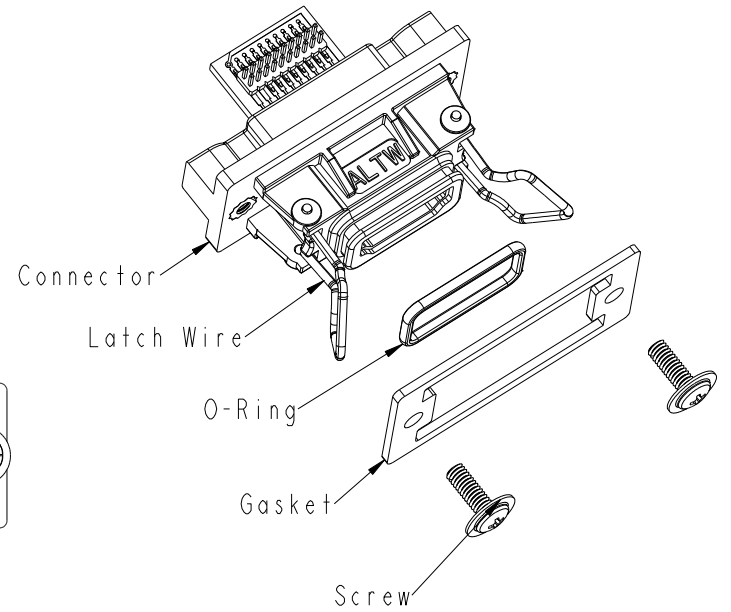
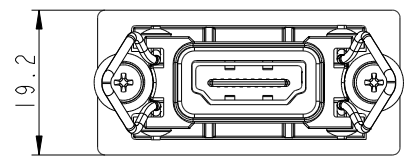
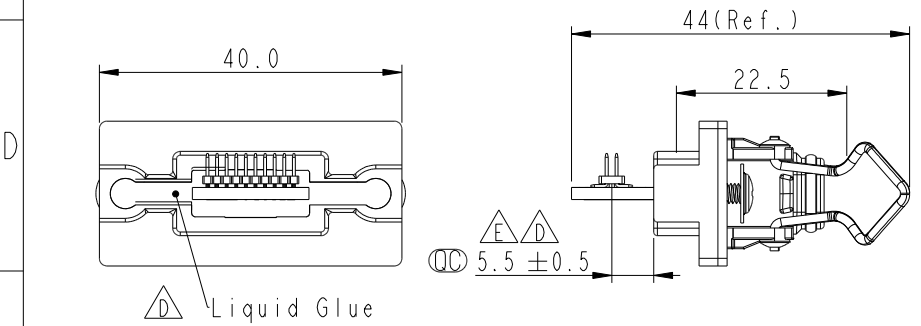
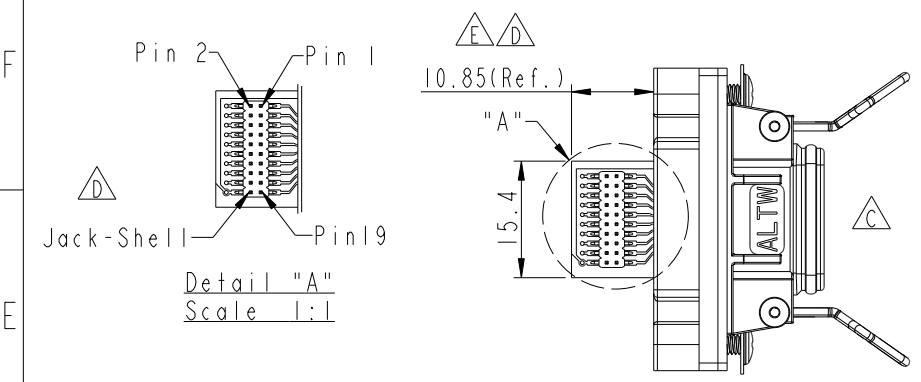


REV.	ECN NO.	DATE	SIGN	DESCRIPTION
C	LEN1750064	2017/04/28	Ruru	Change Logo
D	LEN17C0622	2017/12/08	Gaotong	Change Tolerance, Correct Drawing
E	C240360	2024/04/09	Kyle Huang	$\triangle E$ X2



- Note:
- * Ⓢ Important Dimension.
 - * Waterproof Rate: IP67
 - * Connector: 19Pin HDMI Jack
 - * Pin: Copper Alloy, Gold Plated
 - * Gasket: Black, EPDM
 - * Oring: Black, Silicon
 - * Latch Wire: Stainless Steel
 - * For Panel Thickness Min 2.0mm
 - * For Panel Thickness Max 4.0mm

UNIT:mm		
TOLERANCE	.X	±0.25
	.XX	±0.1
	.XXX	±0.05
ANGLES		±1°

TITLE HDMI Panel Latch 19 F Conn F Pin			
SCALE	SIZE	SHEET	OF
1:1	A4	1	1
REV.	WC-REV.	Ⓢ : Inspection item	
E	A.2		

Amphenol LTW
安費諾亮泰企業股份有限公司

ITEM NO	HJ-19PFFR-QS7001	DRAWN BY	Kyle Huang	DATE	2024/04/09
DWG NO	HJ-19PFFR-QS7001	CHECKED BY	Fisher Wang	DATE	2024/04/09
CUSTOMER	ALTW	APPROVED BY	Fred Lee	DATE	2024/04/09

THIS DOCUMENT IS SUBJECT TO CHANGE WITHOUT NOTICE. IT IS CONFIDENTIAL AND A PROPERTY OF Amphenol LTW. DISCLOSURE TO THIRD PARTY HAS TO BE AUTHORIZED BY Amphenol LTW.