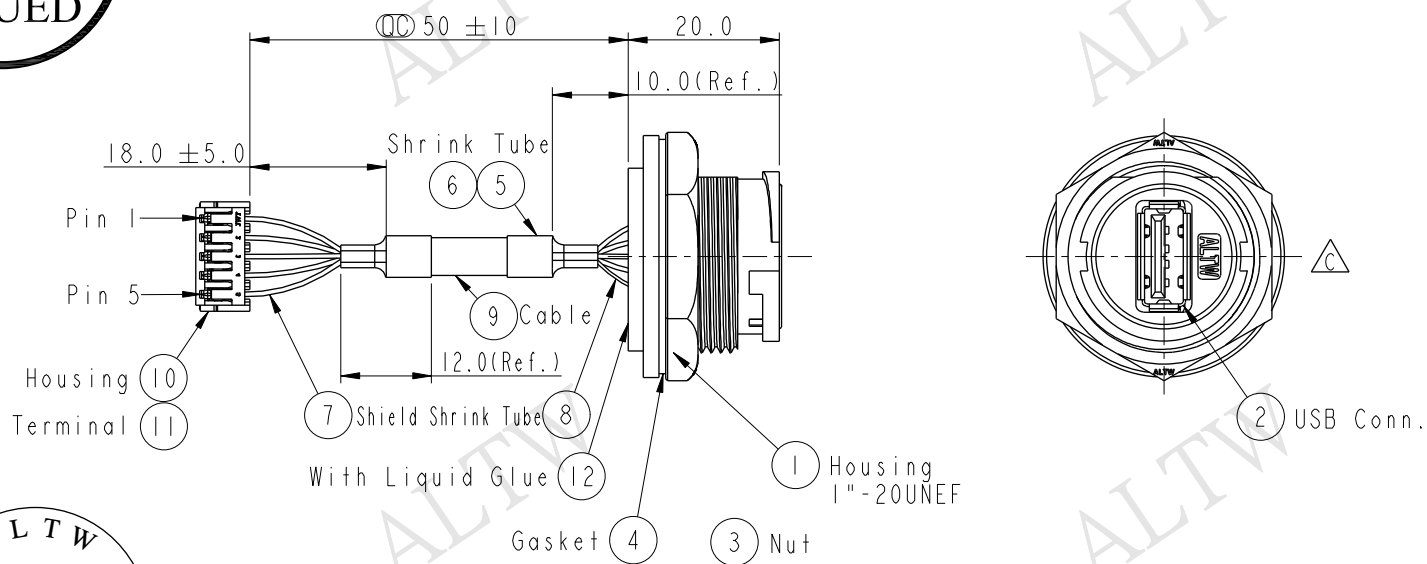
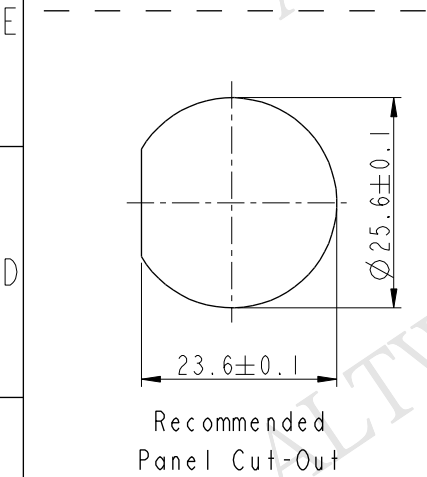


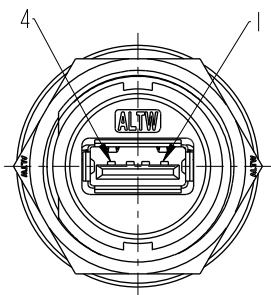
THIS DOCUMENT IS SUBJECT TO CHANGE WITHOUT NOTICE. IT IS CONFIDENTIAL AND A PROPERTY OF Amphenol LTW. DISCLOSURE TO THIRD PARTY HAS TO BE AUTHORIZED BY Amphenol LTW.

REV.	ECN NO.	DATE	SIGN	DESCRIPTION
B	LEN-7B0135	2007/11/15	Gao Ling	Modify Panel Thickness
C	LEN15C0035	2015/10/29	Ruru	Change Logo

**ALTW**  
 DCC. DEPT.  
 CONFIDENTIAL  
 2015.12.07  
**ISSUED**



**ALTW**  
 CONFIDENTIAL  
 2015-10-29  
 R&D DEPT.



5	Drain	Shield
4	Black 24AWG	4
3	Green 28AWG	3
2	White 28AWG	2
1	Red 24AWG	1
Housing	Wire Color	Conn.

Pin Out

Note:

- \*  $\varnothing$  Important Dimension.
- \* Housing: Nylon+GF, Black
- \* Nut: Nylon+GF, Black
- \* Gasket: EPDM, Black
- \* PCB: FR-4, t=1.0mm
- \* Liquid Glue: Black
- \* Hosing: Nylon, PH=2.50mm
- \* Terminal: Female Pin, Tin Plated
- \* Cable: 1P\*28#+2C\*24#+AL+MY+D+B, OD=5.0mm
- \* Use with waterproof cap or dust cap For Panel Thickness Max: 2.8mm
- \* Use without waterproof cap or dust cap For Panel Thickness Max: 4.0mm

UNIT: mm

TOLERANCE	
.X	±0.25
.XX	±0.1
.XXX	±0.05
ANGLES	±1°

TITLE USB With Harness Panel Lock M Conn F Pin			
SCALE 1:1	SIZE A4	SHEET 1 OF 1	
REV. C	WC-REV. A.3	$\varnothing$ : Inspection item	

**Amphenol LTW**  
 安費諾亮泰企業股份有限公司

ITEM NO. UA-20PMFP-LC7003	DRAWN BY Ruru	DATE 2015-10-29
DWG NO. UA-20PMFP-LC7003	CHECKED BY Rtia	DATE 2015-10-29
CUSTOMER ALTW	APPROVED BY Lisa	DATE 2015-10-29